

Adriadiesel d.d., Mala Švarča 155,  
47 000 Karlovac, Croatia



**Stacionarno energetska postrojenje -  
kontejnerska izvedba**  
*Stationary Power Plant - Container solution*

[www.adriadiesel.hr](http://www.adriadiesel.hr)  
[services@adriadiesel.hr](mailto:services@adriadiesel.hr)

# DIESEL GENERATOR STATION CONTAINER DESIGN

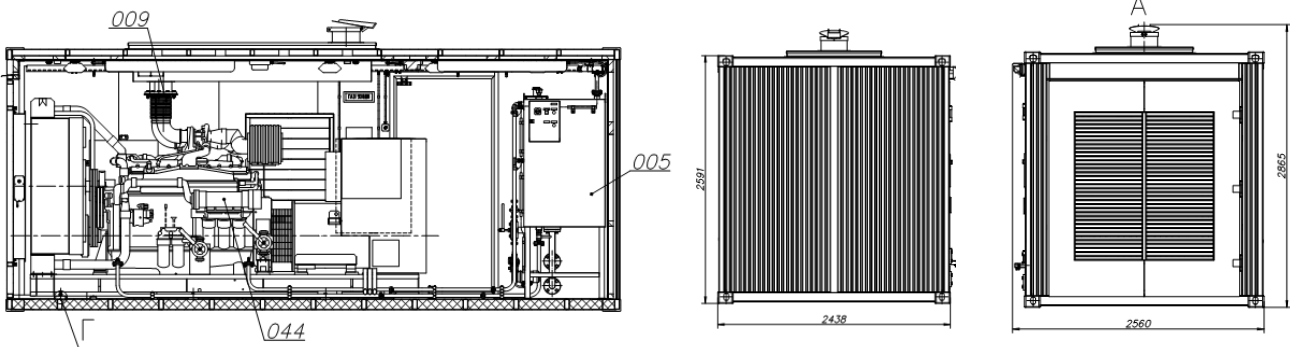
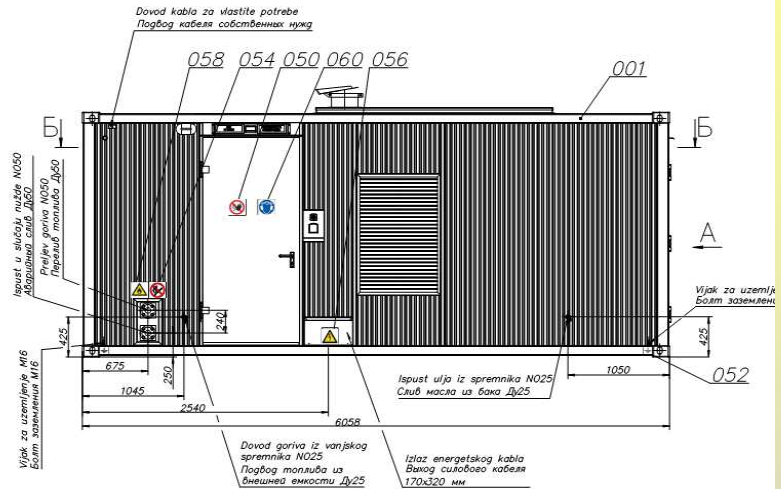
Diesel generator stations type AD-500/0.4 consist of :

- Diesel generator set C700 D5
- Container
- Fuel tank
- Pipeline fuel - inside the container
- Exhaust silencer
- Aluminum blinds
- Lighting
- The means for manual fire fighting
- Control Panel
- Battery 24V DC
- Spare parts for the warranty period

Type : AD – 500/0.4  
 Prime Power : 640 kVA  
 Voltage: 0.4 kV  
 Frequency: 50Hz

External dimensions of Container are:

Length: 6058 mm  
 Width: 2438 mm  
 Height: 2591 mm



## GENERAL

This technical specification contains one (1) diesel generator station, type: AD-500/0.4, container design with a standby power of 680 kVA, 50 Hz, 400 V. All the necessary equipment is installed in a acoustically insulated container, which is suitable for outdoor installation. The GenSet container is designed and the equipment inside arranged in such a manner that each container unit is able to operate as a complete integrated set or in parallel to others. All parts subject to wear or requiring adjustments during long term operation are easily accessible. All operation control and monitoring instruments is calibrated according to the metric system. DES is designed as an autonomous source of supply of electricity consumers.

